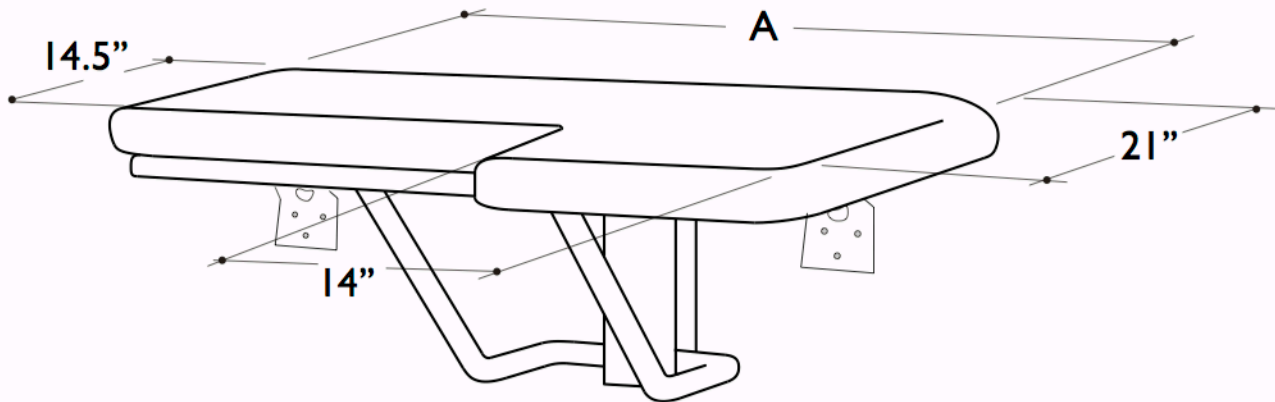


## Standard Configurations

Specify Dimensions A, B, C, D as required.  
\* Typical wall clearance 1 1/2" (38mm).



1.5" clearance between  
back of seat and wall  
Overall depth = 22.5" & 16"

Standard = 26", 28", 30", 32"

A = As Required

## 61 Adult Fold-Down Shower Seat

Qty. Req'd	
Seat Size	
Seat Top	
Color	
Comments	

**Custom sizes and configurations are available to suit special requirements. Please specify**