

Junior Padded Folding Shower Seats

JR. Rectangle

Configuration:
63 Series
Padded

Application Use:

Architectural

Commercial

Institutional

Residential

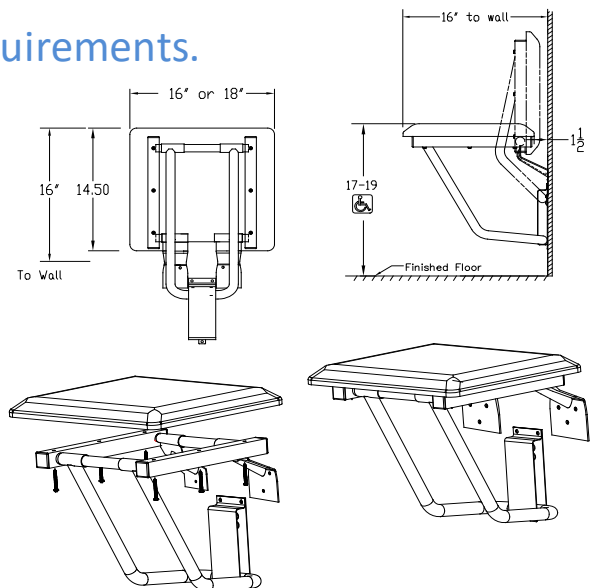
Specifications

Folding shower seat manufactured by ELCOMA from 1" (25mm) diameter, 18 gauge and 1.25" x 1.25" (32mm x 32mm), 16 gauge, type 304 stainless steel tubing with #4 satin finish. Wall mount brackets shall be 12 gauge type 304 stainless steel. Padded vinyl cushion shall have 1.5" (38mm) high density, high resilience foam, covered with fire and mildew resistant, UV inhibited, marine grade naugahyde. Waterproof seam cushions shall have no external piping. Seat unit shall comply with all applicable federal, provincial and local building and safety codes.



Custom sizes are available to suit special requirements.

16" x 16"	(406mm x 406mm)	White	Model # 63-PA1451601
16" x 16"	(406mm x 406mm)	Almond	Model # 63-PA1451602
18" x 16"	(457mm x 406mm)	White	Model # 63-PA1451801
18" x 16"	(457mm x 406mm)	Almond	Model # 63-PA1451802



Elcoma Shower Seats have been designed and tested to withstand 400lbs. (182kgs) of load when properly installed.* This exceeds HUD, FHA, VA, ADA, ANSI and other federal, provincial, and local codes. *Shower seats can only be as strong as what they are mounted to. It is imperative when installing any shower seat to consult with a qualified contractor to insure you have sufficient backing.