

Adult Phenolic Folding Shower Seats

"L" shape with Legs (RH/LH)

Configuration:
60/61 Series
with legs

Application Use:

Architectural

Commercial

Institutional

Residential

Specifications

Folding shower seat manufactured by ELCOMA from 1" (25mm) diameter, 18 gauge and 1.25" x 1.25" (32mm x 32mm), 16 gauge, type 304 stainless steel tubing with #4 satin finish. Wall mount brackets shall be 12 gauge type 304 stainless steel. Solid Phenolic seat shall be 1/2" (13mm) thick and shall be fire and mildew resistant. Shower Seat shall comply with all applicable federal, provincial and local building and safety codes.

White shown, Also available in Woodgrain

**** RIGHT HAND SHOWN , LEFT HAND OPPOSITE ORIENTATION ****

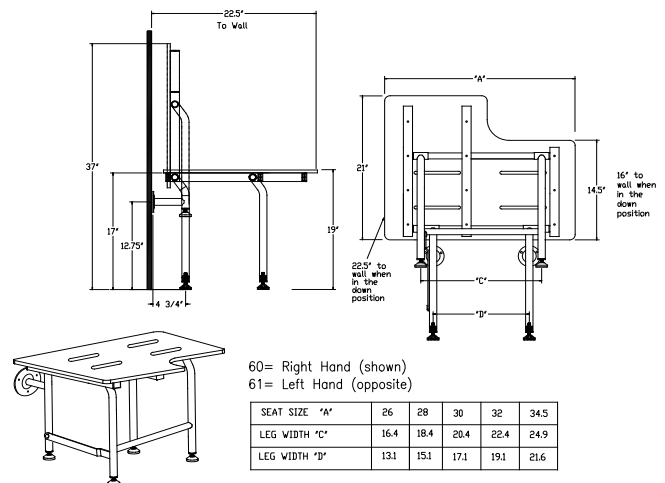


Custom sizes are available to suit special requirements.

26" x 22.5"	(660mm x 533mm)	White	Model # 60-PH2601WLEG
26" x 22.5"	(660mm x 533mm)	Woodgrain	Model # 60-PH2615WLEG
28" x 22.5"	(711mm x 533mm)	White	Model # 60-PH2801WLEG
28" x 22.5"	(711mm x 533mm)	Woodgrain	Model # 60-PH2815WLEG
30" x 22.5"	(762mm x 533mm)	White	Model # 60-PH3001WLEG
30" x 22.5"	(762mm x 533mm)	Woodgrain	Model # 60-PH3015WLEG
32" x 22.5"	(812mm x 533mm)	White	Model # 60-PH3201WLEG
32" x 22.5"	(812mm x 533mm)	Woodgrain	Model # 60-PH3215WLEG
34.5" x 22.5"	(876mm x 533mm)	White	Model # 60-PH34501WLEG
34.5" x 22.5"	(876mm x 533mm)	Woodgrain	Model # 60-PH34515WLEG

Model #61 - (for left hand)

Elcoma Shower Seats have been designed and tested to withstand 600lbs. (272kgs) of load when properly installed.* This exceeds HUD, FHA, VA, ADA, ANSI and other federal, provincial, and local codes. *Shower seats can only be as strong as what they are mounted to. It is imperative when installing any shower seat to consult with a qualified contractor to insure you have sufficient backing.



USA
Canada

521 Lawrence Rd. NE, Canton, OH 44704 | cservice@elcoma.com | Toll Free: 1•800•352•6625 | Toll Free Fax: 1•800•625•5560
878 William Street, Midland, Ontario, Canada L4R 4P4 | salesca@elcoma.com | Phone: 705•526•9363 | Fax: 705•526•7555