

Adult Padded Folding Shower Seats

Rectangle with Legs

Configuration:
62 Series
with legs

Application Use:

Architectural

Commercial

Institutional

Residential

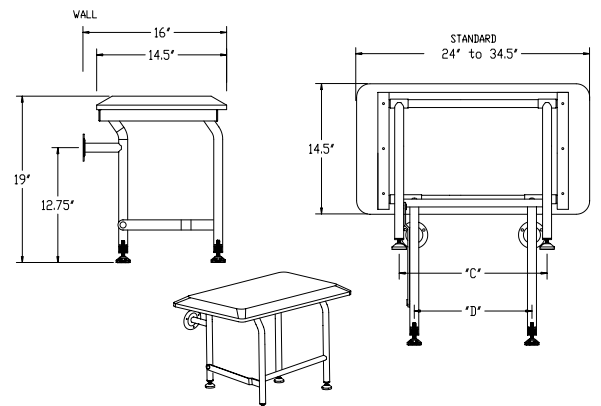
Specifications

Folding shower seat manufactured by ELCOMA from 1" (25mm) diameter, 18 gauge and 1.25" x 1.25" (32mm x 32mm), 16 gauge, type 304 stainless steel tubing with #4 satin finish. Wall mount brackets shall be 12 gauge type 304 stainless steel. Padded vinyl cushion shall have 1.5" (38mm) high density, high resilience foam, covered with fire and mildew resistant, UV inhibited, marine grade naugahyde. Waterproof seam cushions shall have no external piping. Seat unit shall comply with all applicable federal, provincial and local building and safety codes.



Custom sizes are available to suit special requirements.

24" x 16"	(609mm x 406mm)	White	Model # 62-PA2401WLEG
24" x 16"	(609mm x 406mm)	Almond	Model # 62-PA2402WLEG
26" x 16"	(660mm x 406mm)	White	Model # 62-PA2601WLEG
26" x 16"	(660mm x 406mm)	Almond	Model # 62-PA2602WLEG
28" x 16"	(711mm x 406mm)	White	Model # 62-PA2801WLEG
28" x 16"	(711mm x 406mm)	Almond	Model # 62-PA2802WLEG
30" x 16"	(762mm x 406mm)	White	Model # 62-PA3001WLEG
30" x 16"	(762mm x 406mm)	Almond	Model # 62-PA3002WLEG
32" x 16"	(812mm x 406mm)	White	Model # 62-PA3201WLEG
32" x 16"	(812mm x 406mm)	Almond	Model # 62-PA3202WLEG
34.5" x 16"	(876mm x 406mm)	White	Model # 62-PA34501WLEG
34.5" x 16"	(876mm x 406mm)	Almond	Model # 62-PA34502WLEG



Elcoma Shower Seats have been designed and tested to withstand 600lbs. (272kgs) of load when properly installed.* This exceeds HUD, FHA, VA, ADA, ANSI and other federal, provincial, and local codes. *Shower seats can only be as strong as what they are mounted to. It is imperative when installing any shower seat to consult with a qualified contractor to insure you have sufficient backing.

SEAT SIZE	24	26	28	30	32	34.5"
LEG WIDTH "C"	14.4	16.4	18.4	20.4	22.4	24.9
LEG WIDTH "D"	11.1	13.1	15.1	17.1	19.1	21.6