

Manufacturing A.D.A. compliant products since 1988  
Residential & commercial washroom accessories  
[www.elcoma.com](http://www.elcoma.com)

**Part #:**  
**15/16-523330ST-UNI (1.5")**  
**15/16-223330ST-UNI (1.25")**

## Wall to Floor Rail with Universal Outrigger

- Applications: Architectural | Commercial | Institutional | Residential
- Winglts® Fasteners Compatible (sold separately)

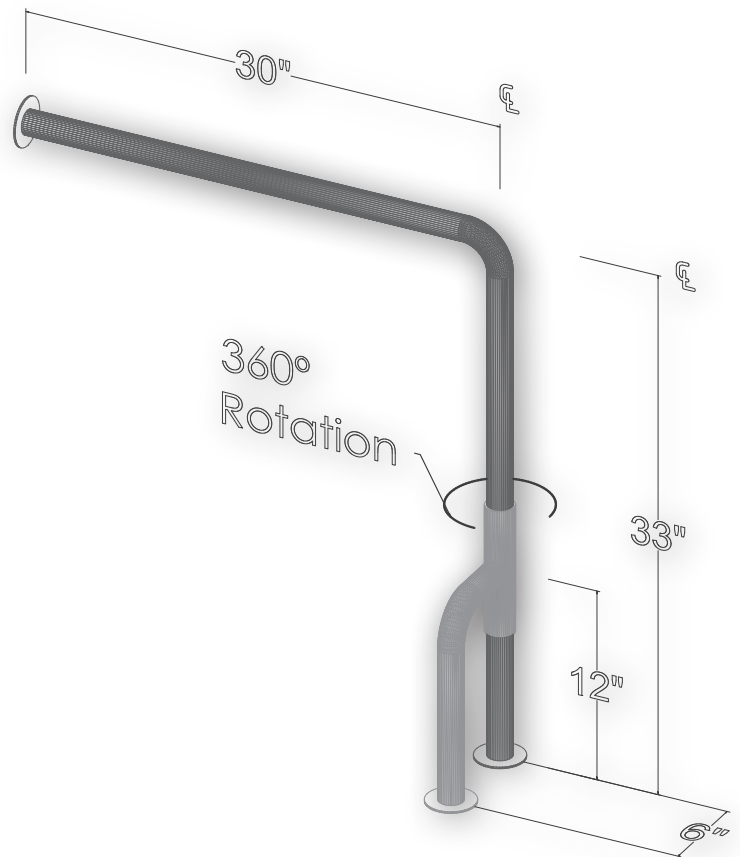
### Specifications:

The *Elcoma Wall to Floor Rail with Universal Outrigger* is manufactured using high-quality 18 gauge  $\phi$ 1.25" or  $\phi$ 1.5" SAE 304 stainless steel with a satin finish. Flanges are 14 gauge stainless steel, heliarc welded to the tubing. The outrigger is not welded to the main bar, allowing for full customization during installation.

Elcoma's grab bars are designed, built, and independently tested to withstand up to 250 lb (113 kg) of load with proper installation\*, exceeding HUD, FHA, VA, ADA, ANSI, and other federal, provincial, and local building codes.

### How to Order:

Bar Diameter	1.25", 1.5"
Bar Grip	Smooth, Peened, Knurled, ShurGrip ( $\phi$ 1.25" only)
Standard Flange	Twist-Lock / Snap-On concealed (Winglts® Fastener compatible)
Optional Flanges	Bolt, Exposed
Configurations	Standard: 33" x 30"



\*Grab Bars can only be as strong as the material they are mounted to. It is imperative when installing any safety product to consult with a qualified contractor to insure you have a sufficient backing.