

LL – 2030 Series

Designer Toilet Paper Holder Grab Bar

Designer Toilet Paper Holder Grab Bar

Stainless steel screws for wood backing & 4 hollow wall togglers included with every bar!
* Wingit Compatible (wingits sold separately)

Application Use:



Specifications

The Designer Toilet Paper Holder Grab Bar is manufactured using high quality 18 gauge 1.25" diameter 304 stainless steel.

Convenient mounting flange post with set screws allow for easy flange access during installation yet preserving the clean finished look of the concealed flange cover. Using a wingit compatible flange base and 5 optional screw hole ports makes locating on a stud or hollow wall even easier than ever. 4 hollow wall togglers included with every bar.

The Life Line Collection has been designed, built, and tested to 500lbs exceeding HUD, FHA, VA, ADA, ANSI and other federal, provincial, and local codes.

*Grab Bars can only be as strong as what they are mounted to. It is imperative when installing any safety product to consult with a qualified contractor to insure you have the sufficient backing to support the seat.



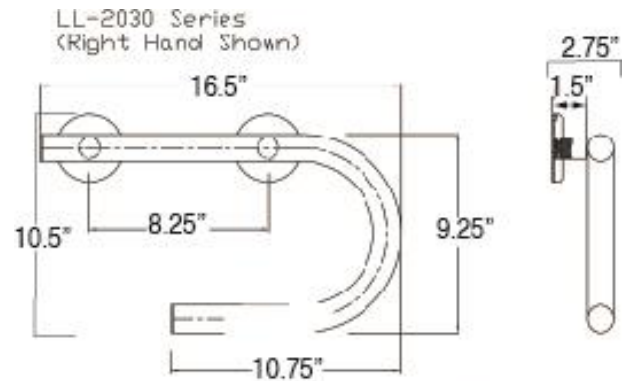
The Life Line Collection

All Designer Toilet Paper Holder Grab Bars ship complete with easy to follow instructions, mounting hardware for stud framing and hollow walls. The Life Line Collection has been designed, built and tested to 500lbs. The Designer Toilet Paper Holder Grab Bar comes in 4 standard finishes And is available in either a right hand or left hand orientation.

| | |
|----------------|------------------------------|
| LL-2030 RH-SS | SATIN FINISH STAINLESS STEEL |
| LL-2030 RH-PC | POLISHED CHROME |
| LL-2030 RH-OWB | OLD WORLD BRONZE |
| LL-2030 RH-MB | MATTE BLACK |

Change RH to LH for Left Hand orientation.

Custom Finishes Available Upon Request



Easy to mount flange!
3 Set Screws on post allow pre-mounting to the wall before attaching the bar.

Roll should not be larger than 4.5" to fit



Dimension tolerances +/- 3/16"