

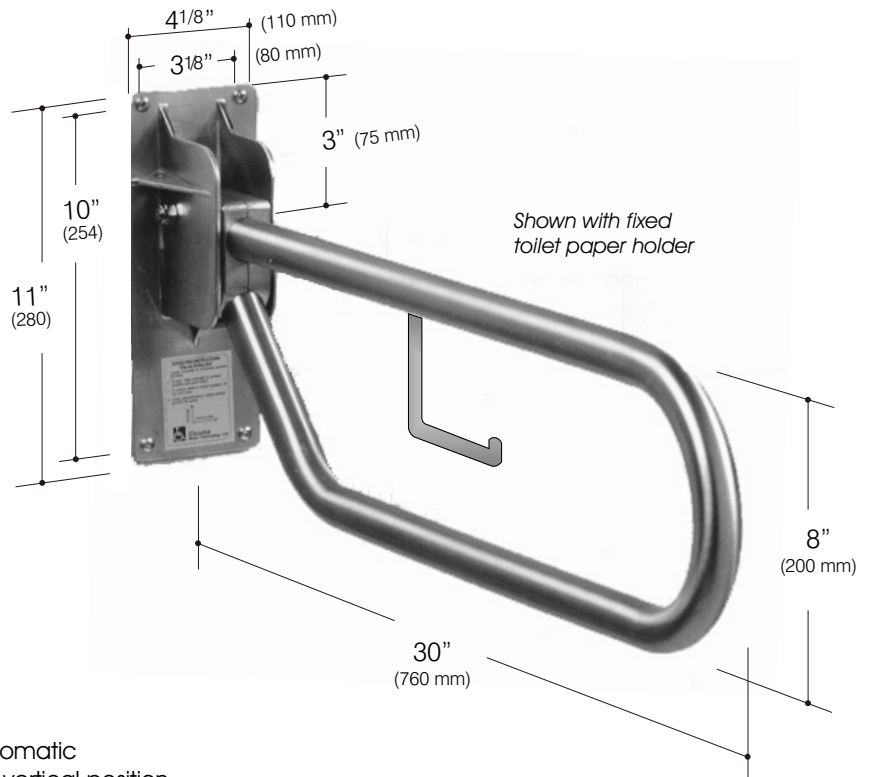


Flip-up Safety Rail with "Locking Hinge"

KEY BENEFITS:

- **Guaranteed Security.** ELCOMA Flip Up Safety Rails (when properly installed) are "Guaranteed For Life" to be safe and secure.

Optional toilet paper holder, available as a removable (shown) or fixed item.



FEATURES:

The ELCOMA "Locking Hinge" flip-up features an automatic locking system that swings freely and locks up in the vertical position.

Alloy and stainless steel construction. The hinge bracket is made from heavy duty die cast alloy. Available with a brushed metal finish or painted in White or Almond.

ELCOMA offers 1.25" (32 mm) diameter Flip-ups with choice in bar material, finish, grip and color. The bars can be made of 18 gauge, Type 304 stainless steel or 18 ga. mild steel for chrome plated or painted finish. Grip options include Peened, Knurled or patterned Shur-Grip. Bars can be satin finished s.s., painted s.s., satin or painted Shur Grip s.s. or mild steel with chrome plated or painted finish.

Custom lengths are available to suit special requirements.

More than 25 designer colors are available on special request.

To be used in the down position for vehicle assistance only.

ELCOMA safety flip-up rails have been designed and tested to withstand more than 250 lbs. (113 kg.) of downward force when properly installed.

Installation should be completed by a Qualified tradesman to assure that the unit will support the load for which it is intended.

Flip-up Safety Rail with "Locking Hinge"

SPECIFICATIONS

SPECIFICATION: (Stainless Steel)

1.25" (32 mm) diameter Flip Up safety rail with locking hinge and closed loop, manufactured by ELCOM. Rail shall be 18 gauge, Type 304 stainless steel tubing with brushed satin finish*. Hinge bracket shall be heavy duty die cast alloy with brushed satin finish*.

- | | | |
|---|---------------------|---------------------------------------|
| * For Stainless Steel rail & Satin finish bracket | Model # 96-2230SW05 | (substitute S for smooth with |
| * For White painted rail & bracket | Model # 96-2630S01 | K for Knurled grip, P for Peened grip |
| * For Almond painted rail & bracket | Model # 96-2630S02 | or G for Shur-grip.) |

* For a bracket with a different finish than the rail, add detail W in front of Color:
W05 for satin finish, W01 for white bracket, W02 for Almond bracket

SPECIFICATION: (Stainless Steel "SHUR-GRIP")

1.25" (32 mm) diameter Flip Up safety rail with locking hinge and closed loop, manufactured by ELCOMA. Rail shall be 18 gauge Type 304 stainless steel tubing with patterned "SHUR-GRIP" brushed satin finish*. Hinge bracket shall be heavy duty die cast alloy with brushed satin finish*.

- | | |
|---|---------------------|
| * For Stainless Steel rail & Satin finish bracket | Model # 96-2230GW05 |
| * For White painted finish | Model # 96-2630G01 |
| * For Almond painted finish | Model # 96-2630G02 |

* For a bracket with a different finish than the rail, add detail W in front of color:
W05 for satin finish, W01 for white bracket, W02 for Almond bracket

SPECIFICATION (Painted Steel):

1.25" (32 mm) diameter Flip Up safety rail with locking hinge and closed loop, manufactured by ELCOMA. Rail shall be 18 gauge Steel tubing*. Hinge bracket shall be heavy duty die cast alloy with brushed satin-metallic finish*.

- | | |
|--|--------------------|
| * For White painted finish rail & bracket | Model # 96-2530S01 |
| * For Almond painted finish rail & bracket | Model # 96-2530S02 |

* For a bracket with a different finish than the rail, add detail W in front of color:
WSF for satin finish, W01 for white bracket, W02 for Almond bracket.

*Optional toilet paper holder,
available as a removable
(shown) or fixed item.*

ACCESSORIES

SPECIFICATION: (Toilet paper holder)

Toilet paper dispenser for Flip-up safety rail, manufactured by ELCOMA from type 304 stainless steel.

- Removable with S.S. finish
Removable White or Almond
Fixed (to match bar)

- Model # 96-T
Model # 96-T-01 or 96-T-02
add / TF to end flip-up model #

