



521 Lawrence RD NE  
Canton, OH 44704

14-1

# Configuration 14

## Wall to Floor Safety Rails

1.25" dia. (32 mm) or 1.50" dia. (38 mm)

## with Concealed Flanges

Architectural, Commercial, Institutional

### "Twist-Lock" Concealed Flange

(see technical page for detail)

#### SPECIFICATION: (Stainless Steel)

Wall to Floor Safety Rail with Twist-Lock concealed flanges. Manufactured by ELCOMA from 18 gauge, type 304, satin finished, stainless steel tubing. 14 gauge stainless steel mounting flange shall be Heliarc welded to the tube to form a single structural unit. Rail shall comply with all applicable federal and local building and safety codes.

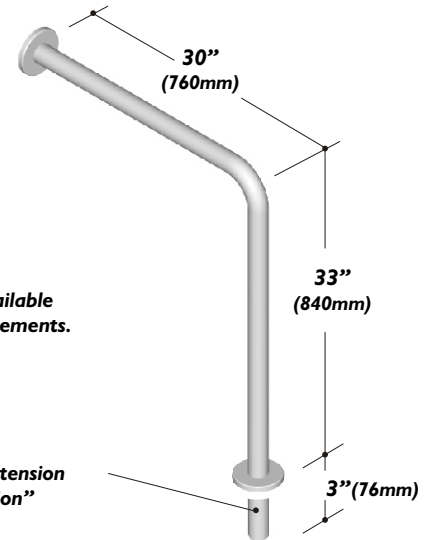
1.25" (32 mm) rail dia.

Model # 14-223330ST

1.50" (38 mm) rail dia.

Model # 14-523330ST

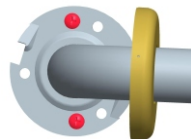
(substitute S for smooth with K for Knurled grip,



Custom sizes are available to suit special requirements.

For optional floor extension specify "with extension"

### Twist-Lock "T" Concealed Flange



#### SPECIFICATION: (Painted Stainless Steel)

Wall to Floor Safety Rail with Twist-Lock concealed flange. Manufactured by ELCOMA from 18 gauge, Type 304, stainless steel tubing. 14 gauge stainless steel mounting flange shall be Heliarc welded to the tube to form a single structural unit. Rail shall have a polyester powder coating finish. It shall comply with all applicable federal and local building and safety codes.

1.25" (32 mm) rail dia.

White

Model # 14-263330ST01

1.25" (32 mm) rail dia.

Almond

Model # 14-263330ST02

1.50" (38 mm) rail dia.

White

Model # 14-563330ST01

1.50" (38 mm) rail dia.

Almond

Model # 14-563330ST02

(substitute S for smooth with G for SHUR-GRIP)

For painted rails there are more than 25 designer colors available on special request.



Specification questions ? Contact ELCOMA @ Ph: 800-352-6625 Fax: 800-625-5560 Email: [orderdesk@elcoma.com](mailto:orderdesk@elcoma.com)

[www.elcoma.com](http://www.elcoma.com)